

产品说明书

User Manual

紧急洗眼器和冲淋器
Emergency Eyewash and Shower Equipment

SYSBEL[®] **SYSBEL IS SAFETY**
安全·源自西斯贝尔

上海西斯贝尔工业科技有限公司
Shanghai SYSBEL Industry & Technology Co.,Ltd



WG7023Y



WG7023



WG7053FY



WG7053F



WG7033FY



WG7033F

目录 /Content

洗眼器概述 /Introduction.....	1
壁挂式洗眼器 /Wall-Mounted Eye/Face Wash	
WG7023/WG7023Y.....	3
立式洗眼器 Pedestal Mounted Eye/Face Wash	
WG7033F/WG7033FY.....	7
复合式洗眼器 /Combination Unit	
WG7053F/WG7053FY.....	11
培训、维护与操作 /Training/O & M.....	15
常见问题解答 /Q & A	16

声明

根据版权法，未经 SYSBEL 书面同意，不得复制本手册的全部或部分内容，我们已尽力确保信息正确，如有内容更新，恕不另行通知，可随时查看我们的官方网站 www.sysbel.com.cn

如果您有任何其他的问题，请联系 SYSBEL 客服中心：+86-4008-94-8808
西斯贝尔

STATEMENT

According to the Copyright Act, all or part of the content of this manual are prohibited to be copied without written consent from SYSBEL. We have been made to ensure that the information on the manual right, such as update without prior notice and ready to check out our website www.sysbel.com.

If you have additional questions or concerns please contact SYSBEL Customer Service at +86-4008-94-8808.

SYSBEL



SYSBEL[®] SYSBEL IS SAFETY
安全·源自西斯贝尔

服务热线：86-4008-94-8808

公司网址：www.sysbel.com.cn

©2017 SYSBEL All Rights Reserved Worldwide

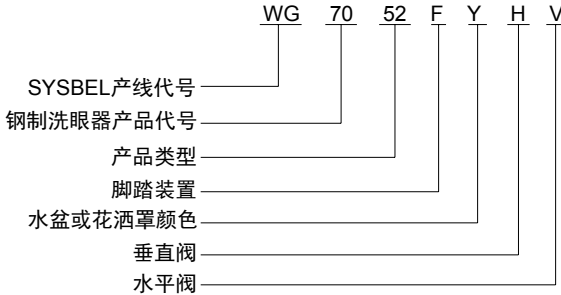
关于 SYSBEL 洗眼器

符合美标 ANSI Z358.1-2014, 澳标 AS 4775-2007 紧急洗眼和冲淋设备标准以及 OSHA 29 CFR 1910.151(C) 的相关规定。用于安全应急防护, 当遭遇化学品意外伤害, SYSBEL 洗眼器可用于冲洗受伤者的身体、面部或眼部等遭受化学物质喷溅的部位, 及时减轻化学物质的伤害程度, 实现快速初级自救, 为专业医疗救助争取时间, 保证人身安全。



符合美国国家标准协会颁发的 ANSI Z358.1-2014 的标准及 OSHA 29 CFR 1910.151 (C)

产品命名规则



"20"- 无盆式壁挂洗眼 / 脸器 "23"- 壁挂式洗眼 / 脸器 "33"- 立式洗眼 / 脸器
 "43"- 紧急冲淋器 "50" 无盆式复合洗眼器 "53"- 复合式洗眼器

使用须知

1. 仔细阅读产品说明书, 确保正确安装洗眼器, 然后将该文件交于相关部门妥善保管。安装人员须遵守当地的规范安装洗眼器;
2. OSHA 29 CFR 1910.151(C) 规定在员工身体有可能受到伤害如腐蚀性物质喷溅等工作场所, 需要配置能快速冲淋及清洗眼部、面部的洗眼冲淋装置, 且要求在 10 秒内到达紧急洗眼和冲淋设备。
3. 安装之前仔细清点包装箱内的组件, 确保完整, 如有发现部件不全, 请勿实施安装;
4. 工作内容涉及到危险化学品的员工须接受准确操作紧急洗眼器的培训;
5. 依据 ANSI Z358.1-2014 标准要求, 接入的水源水压为 30psi(210kPa), 水温要求 16-38°C (60-100 °F);
6. 确保安装后管路无漏水且供应足够的水源, 供水源需保持畅通状态, 禁止中断对洗眼器的供水;
7. 每周定期开启洗眼器, 确保正常可以正常使用, 每年大检, 确保符合 ANSI Z358.1 标准的各项要求;
8. 如对产品的操作和安装有任何疑问, 请到官网 www.sysbel.com.cn 查询或致电 +86-4008-94-8808,
9. 相关产品信息和售后保障亦可在官网查询。

其他

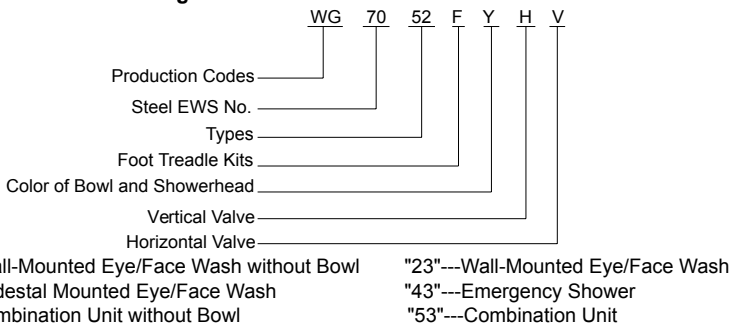
- M10 的膨胀螺丝, 螺栓, 螺母, 垫圈等
- 生料带和密封剂
- G1" 或 G1/2" 进水管接头
- G1" 排水管接头
- 连续足够的供水源
- 及时处理冲洗后的废水, 防止地面积水造成对人员潜在的二次伤害
- 将洗眼器标识牌安装在洗眼器上或就近墙壁上

备注: 本手册尽力向客户提供正确的的安装指导, 但客户需要遵守当地法规和依据具体施工环境。

SYSBEL Eye Wash Station

Standards Licensed to the internationally recognised standard ANSI Z358.1-2014 and are compliant with AS4775-2007 for Emergency Eyewash and Shower equipment. Also, meet the codes of OSHA 29 CFR 1910.151(C). Used for safety emergency protection in case of injury by chemical, SYSBEL eyewash system can be used to wash the body, face, eyes or other parts of the injured suffering spraying by chemical and other substances to timely reduce the injury caused by chemical and make rapid preliminary self-help possible.

How to Specify Model and Configurations



Please Read!

1. Read this user manual completely to ensure proper installation and operation, then file it with the owner or maintenance department. Compliance and conformity to local codes and ordinances is the responsibility of the installer.
2. OSHA 29 CFR 1910.151(C) specifies workplaces where employees may be vulnerable to harm such as corrosive substance spraying shall be equipped with emergency eyewash and shower equipment that can be used to shower and clean eyes, face or body rapidly.
3. Separate parts from packaging and make sure all parts are accounted for before discarding any packaging material. Don't start installing the facility once the parts are found incomplete.
4. Workers who may come in contact with potentially hazardous materials should be trained regarding the placement and proper operation of emergency equipment.
5. According to ANSI Z358.1-2014, the delivered flushing fluid is tepid water which is suitable for drinking and at a flow pressure of 210kPa.
6. Test the unit for leaks and adequate water flow. Main water supply to the eyewash should be "ON" at all times. Provisions shall be made to prevent unauthorized shutoff.
7. The inspection and testing results of this equipment should be recorded weekly to verify proper operation. This equipment should be inspected annually to ensure compliance with ANSI Z358.1.
8. For questions regarding the operation or installation of these products, visit www.sysbel.com.
9. Product warranties and parts information may also be found under "Products" on our website at www.sysbel.com.

Supplies Required:

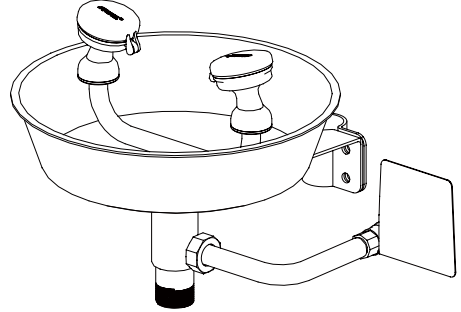
- M10 or 3/8" floor anchors and bolts
- Teflon tape and pipe sealant
- Piping to G1" or G1/2" water supply inlet
- Piping to G1" drain outlet
- Adequate and continued supply sources
- Dispose the shower waste water immediately
- High-visibility sign-mounting hardware

Note : Local codes may require the installation of a backflow prevention valve to complete proper installation. Compliance with local codes is the responsibility of the installer.



符合美国国家标准协会颁发的 ANSI Z358.1-2014 的标准及 OSHA 29 CFR 1910.151 (C)。

WG7023 & WG7023Y 可选择安装在墙上或垂直管线上，配置挂墙支架，水盆，球阀及喷头。独特设计的喷头提供了较低速率的出水，起泡器和微孔独立出水，提供了更加柔和的水流同时冲洗面部和脸部。整个紧急洗眼和冲淋设备完全符合美国国家标准协会的 ANSI Z358.1-2014 和澳洲标准 AS 4775-2007。



产品描述

- 符合 ANSI Z358.1-2014 和 AS 4775-2007 关于紧急洗眼和冲淋设备的规定；
- 304 不锈钢管件适用于较恶劣的环境中；
- 推手启动洗眼 / 脸设备；
- 210kPa(30psi) 的水压下，洗眼 / 脸器出水量高于 11.4LPM(3.0GPM) 的最低要求；
- 洗眼器喷头可将水同时并持续，均匀，柔和地冲洗到面部和脸上；
- WG7023Y 采用 AES 塑料的水盆，颜色为亮黄色，易于观察。具有抗氧化，刚度高，韧性好等特性；
- WG7023 配置更加耐用的不锈钢水盆，抗腐蚀性优异。

规格参数

- 进水口：15mm (G1/2") 内螺纹；排水口：32mm (G1-1/4") 外螺纹
- 水盆：WG7023Y 配置 AES 塑料材质，WG7023 为 304SS(不锈钢)
- 喷头（专利产品）：AES 树脂材质的喷淋头配置硬币槽内嵌式的起泡器，起泡器周围设置 80 个微孔
- 过滤器：六分网垫 硅胶 +304SS 24*16.5*2.5(外径 * 内径 * 厚度)
- 球阀：1/2"(四分) 球阀，304SS
- 触发器：推手,304SS

使用说明

- 按照说明书正确安装壁挂式洗眼器，工作在具有有害品的场所需配置洗眼器，确保使用者可以在 10s 内到达紧急设备
- 设备放置的地方须有明显标识便于识别，且该处场所光线较好
- 冲洗液须达到饮用水标准，且供水水压 210kPa，供水量不小于 30 升 / 分钟 (建议水温 16-38°C)
- 工作人员须在工作场所进行关于如何正确操作紧急设备的指导和培训
- 受到伤害的人员须进行至少 15 分钟的冲洗
- 使用完毕后，关闭设备，然后立即在其他人员的帮助下求助医护人员或其他专业人士，及时进行医疗救助

安装说明

安装参考：见 Page 5 & 6

安装工具：手枪钻 x1, 膨胀螺丝，螺栓，螺母若干 (建议 M10)，扳手，螺丝刀等其他安装固定的小工具。

备注：安装完毕后，及时检验设备是否正常工作。



Comply with the regulation in ANSI Z358.1-2014 and OSHA 29 CFR 1910.15(C)

Model WG7023 & WG7023Y have option of mounting on the wall or onto the vertical stanchion, featuring wall-mounted bracket, water bowl, stay-open valve and eye/wash nozzle heads. Zero velocity point provides more comfort and control for effective sweeping hazardous contaminants away from the face and eyes using a soft aerated stream for eye wash and independently angled face wash stream for optimum coverage. Standards Licensed to the internationally recognised standard ANSI Z358.1-2014 and are compliant with AS4775-2007 for Emergency Eyewash and Shower equipment.

Descriptions

- To Meet the standard of Emergency Eyewash and Shower Equipment in ANSI Z358.1-2014 and AS 4775-2007;
- Natural polished stainless steel(304SS) recommended for harsh environment;
- Be activated by push handle;
- Eye/face wash exceeds minimum water flow of 3.0GPM(11.4LPM) at 210kPa (30psi);
- AES plastic nozzle heads provide even, continued and comfortable fluid to irrigate and flush both the face and the eye simultaneously;
- For WG7023Y, water bowl and showerhead are high-visibility yellow and made of AES plastic which have high weather resistance properties, high rigidity and high tenacity.
- For the most durable water bowl and showerhead in WG7023, select stainless steel(304SS) which stands up to corrosion and aggressive impact.

Specifications

- Water supply inlet: 15mm(G1/2") taper
- Waste water outlet: 32mm(G1-1/4") NPT-MALE
- Bowl: AES plastic for WG7023Y and 304SS for WG7023
- Nozzle heads(Patent): AES resin body with coin slot hidden faucet aerator and 80 tiny holes on plate. Dust cover is easy to open
- strainer: mesh filter, SG+304SS 23*16.5*2.5(D*d*H/mm)
- Ball valve: 15mm full port 304SS
- Activation: push handle, 304SS

Instructions

- Be assembled and installed in accordance with instructions and adjacent to the employees who may be exposed to hazardous materials so that it take an individual less than 10 seconds to reach the nearest emergency facility
- Be located in an area identified with a highly visible sign and the area around the facility is well-lit
- The delivered flushing fluid is suitable for drinking, and the water flow is less than 30LPM at a flow pressure of 210kPa. (water temperature: 16-38°C)
- Employees shall be instructed in the location and proper use of emergency eyewash and shower equipment.
- The injured individual should proceed to the unit and flush eyes and face for the required 15-minute period
- Closing the emergency facility after use, and ask for the a physician or other appropriate professional with others' help immediately.

Installation

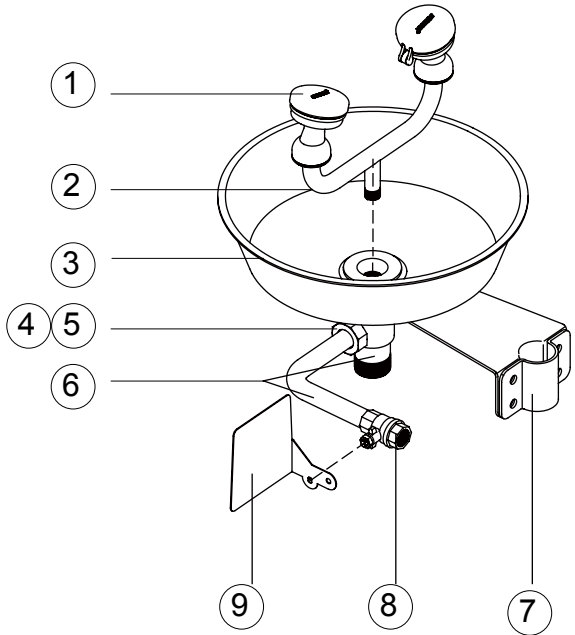
Ref: see drawing on page 5 & 6

Tools: cable drilling tool; anchors; nuts(M10); spanners; screwdriver, etc.

Note: The emergency facility shall be inspected to work normally.

Installation/ 安装

编号 NO.	部件名称 Name	数量 Qty.
1	喷头 nozzle head	2
2	牛角弯 bull horn tube	1
3	水盆 water bowl	1
4	快速接头 quick coupling	1
5	过滤网垫 strainer washer	1
6	管件 pipe	2
7	支架 bracket	1
8	DN15 球阀 ball valve	1
9	推手 push handle	1



产品组装:

1. 安装水盆、喷头及牛角弯;
2. 固定推手在合适的位置;
3. 如下图所示将支架固定的合适的场所;

Assemble

1. Assemble water bowl, nozzle heads and bull horn tube.
2. Fix push handle on 1/2" valve;
3. Located the unit properly as the picture in next page.

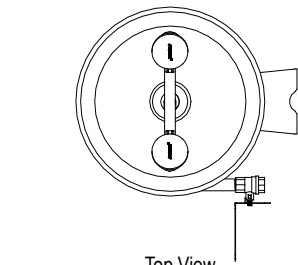
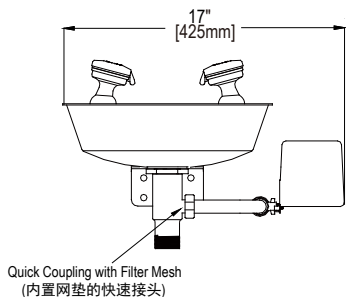
备注:

1. 图示和表格中并未完全表明所有的部件, 请以实物为准。
2. 快速接头处的网垫起过滤作用。
3. 阀的触发器如图示位置安装, 确保原始状态为闭合;

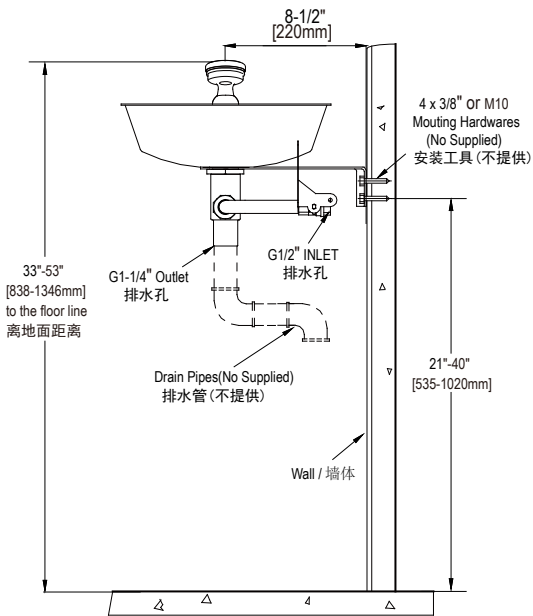
Note:

1. Product picture & chart are for reference only. Detailed information is in accordana with the final product.
2. Quick coupling is equipped with flat washer for straining.
3. Right position for push hand as the picture shown. The initial state of valve is closed.

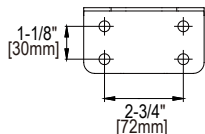
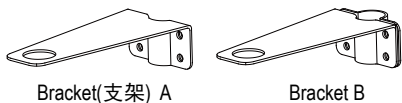
Dimensions/ 尺寸



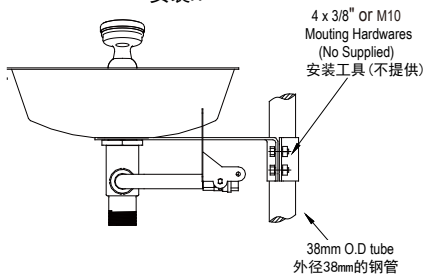
Top View
俯视图



Installation A
安装A



Mounting Details
安装细节



Installation B
安装B

Note: All dimensions assume standard thread engagement. Variations in manufacturing allow for +/- 1/8" (3mm) per threaded joint.

Use thread sealant/locker on all threaded connections.

Mounting hardware not supplied.

Water inlet pipe shall be connected with steel pipes which is stationary.

备注: 鉴于该图为装配图, 所有的螺纹为标准啮合, 由螺纹旋合造成的尺寸公差为+/-3mm.

所有的管螺纹连接建议使用生料带和密封剂;

安装工具和配件不提供;

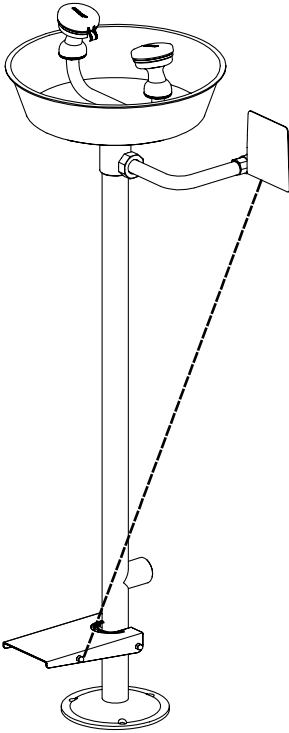
进水口应连接铜制管件, 且钢管要求固定不可移动。

Water Flow Rate 水流量	
Eye/Face Wash 洗眼/脸喷头	4-6GPM(15-23LPM)

GPM=Gallon per Minute (加仑每分钟)
LPM=Liter per Minute (公升每分钟)



符合美国国家标准协会颁发的 ANSI Z358.1-2014 的标准及 OSHA 29 CFR 1910.151 (C)。



WG7033F & WG7033FY 可固定于地面，应对墙体不方便安装的情况下，配置脚踏推手，水盆等。独特设计的喷头提供了较低速率的出水，起泡器和微孔独立出水，提供了更加柔和的水流同时冲洗面部和脸部。整个紧急洗眼和冲淋设备完全符合美国国家标准协会的 ANSI Z358.1-2014 和澳洲标准 AS 4775-2007。

产品描述

- 符合 ANSI Z358.1-2014 和 AS 4775-2007 关于紧急洗眼和冲淋设备的规定；
- 304 不锈钢管件适用于较恶劣的环境中；
- 推手和脚踏均可启动洗眼 / 脸设备；
- 210kPa(30psi) 的水压下，洗眼 / 脸器出水高于 11.4LPM(3.0GPM) 的最低要求；
- 洗眼器喷头可将水同时并持续，均匀，柔和地冲洗到面部和脸上；
- WG7033FY 采用 AES 塑料的水盆，颜色为亮黄色，易于观察。具有抗氧化，刚度高，韧性好等特性；
- WG7033F 配置更加耐用的不锈钢水盆，抗腐蚀性能优异。

规格参数

- 进水口：15mm(G1/2") 内螺纹
- 排水口：25mm(G1") 内螺纹
- 主体管件：外径 38mm 的 304SS 钢管
- 水盆：WG7033FY 配置 AES 塑料材质，WG7033F 为 304SS
- 喷头（专利申请中）：AES 树脂材质的喷淋头配置硬币槽内嵌式的起泡器，80 个微孔环绕起泡器
- 过滤器：六分网垫硅胶 +304SS 24*16*2.5(外径 * 内径 * 厚度)
- 球阀：1/2"(四分) 球阀
- 触发器：推手，脚踏，二者可用不锈钢链连接

使用说明

- 按照说明书正确安装复合式洗眼器，工作在具有危害品的场所需配置洗眼器，确保使用者可以在 10s 内到达紧急设备
- 设备放置的地方须有明显标识便于识别，且该处所光线较好
- 冲洗液须达到饮用水标准，且供水水压 210kPa，供水量不小于 30LPM(建议水温 16-38℃)
- 工作人员须在工作场所进行关于如何正确操作紧急设备的指导和培训
- 受到伤害的人员须进行至少 15 分钟的冲洗
- 使用完毕后，关闭设备，然后立即在其他人员的帮助下求助医护人员或其他专业人士，及时进行医疗救助

安装说明

安装参考：见 Page 13 & 14

安装工具：手枪钻 x1，膨胀螺丝，螺栓，螺母若干（建议 M10），扳手，螺丝刀等其他安装固定的小工具。

备注：安装完毕后，及时检验设备是否正常工作。



Comply with the regulation in ANSI Z358.1 and OSHA 29 CFR 1910.15(C)

Model WG7033F & WG7033FY pedestal mounted eye/face wash features pedestal, stay-open valve and eye/wash nozzle heads, water bowl. Zero velocity point provides more comfort and control for effective sweeping hazardous contaminants away from the face and eyes using a soft aerated stream for eye wash and independently angled face wash stream for optimum coverage. Standards Licensed to the internationally recognised standard ANSI Z358.1-2014 and are compliant with AS4775-2007 for Emergency Eyewash and Shower equipment.

Descriptions

- To Meet the standard of Emergency Eyewash and Shower Equipment in ANSI Z358.1- 2014 and AS 4775-2007;
- Natural polished stainless steel(304SS) recommended for harsh environment;
- Hand and foot operation for eye/face wash;
- Eye/face wash exceeds minimum water flow of 3.0GPM(11.4LPM) at 210kPa (30psi);
- AES plastic nozzle heads provide even, continued and comfortable fluid to irrigate and flush both the face and the eye simultaneously;
- For WG7033FY, water bowl and showerhead are high-visibility yellow and made of AES plastic which have high weather resistance properties, high rigidity and high tenacity.
- For the most durable water bowl and showerhead in WG7033F, select stainless steel(304SS) which stands up to corrosion and aggressive impact.

Specification

- Water supply inlet 15mm(G1/2") taper
- Waste water outlet: 25mm(G1")
- Main pipe 38mm O.D tube, 304SS
- Bowl: AES plastic for WG7033FY and 304SS for WG7033F
- Nozzle heads: "Innovation technology", AES resin body with coin slot hidden faucet aerator and 80 tiny holes on plate. Dust cover is easy to open
- Strainer: mesh filter, SG+304SS 24*16*2.5(D*d*H/mm)
- Ball valve: 15mm full port 304SS
- Activation: push handle and foot treadle with connecting chain 304SS

Instructions

- Be assembled and installed in accordance with instructions and adjacent to the employees who may be exposed to hazardous materials so that it takes an individual less than 10 seconds to reach the nearest emergency facility
- Be located in an area identified with a highly visible sign and the area around the facility is well-lit
- The delivered flushing fluid is suitable for drinking, and the water flow is around 30LPM at a flow pressure of 210kPa. (water temperature: 16-38°C)
- Employees shall be instructed in the location and proper use of emergency eyewash and shower equipment.
- The injured individual should proceed to the unit and flush eyes and face for the required 15-minute period
- Closing the emergency facility after use, and ask for the aid of a physician or other appropriate professional with others' help immediately.

Installation

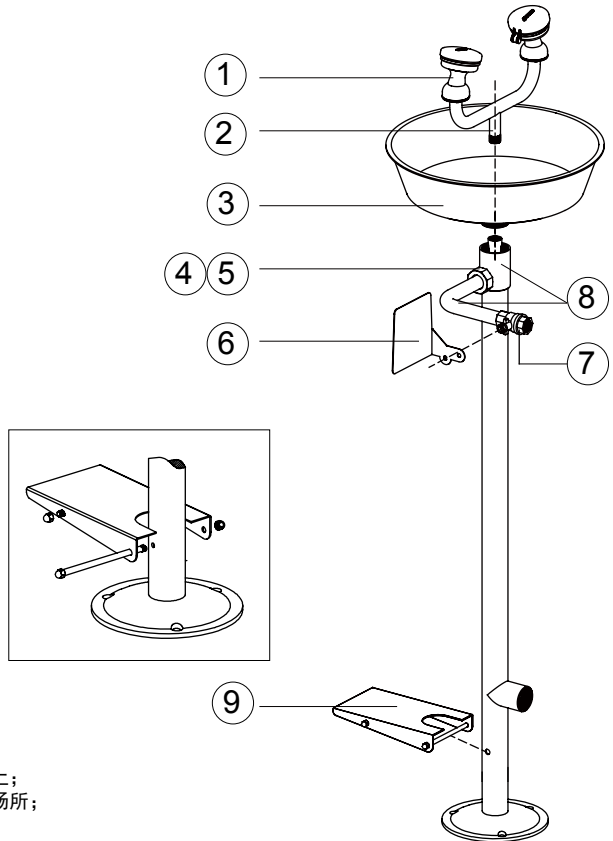
Ref: see drawing on page 13 & 14

Tools: cable drilling tool; anchors; nuts(M10); spanners; screwdriver, etc.

Note: The emergency facility shall be inspected to work normally.

Installation/ 安装

编号 NO.	部件名称 Name	数量 Qty.
1	喷头 nozzle heads	2
2	牛角弯 bull horn tube	1
3	水盆 water bowl	1
4	过滤网垫 strainer washer	1
5	快速接头 quick coupling	1
6	推手 push handle	1
7	DN15 球阀 ball valve	1
8	管件 pipes	2
9	脚踏 foot pedal	1



产品组装:

1. 安装水盆，喷头及牛角弯；
2. 固定推手在合适的位置；
3. 安装脚踏并用金属链条连在推手上；
4. 如下图所示将底座固定的合适的场所；

Assemble

1. Assemble water bowl, nozzle heads and bull horn tube.
2. Fix push handle on 1/2" valve;
3. Install foot pedal and connect the push hand by chain.
4. Located the unit properly as the picture in next page.

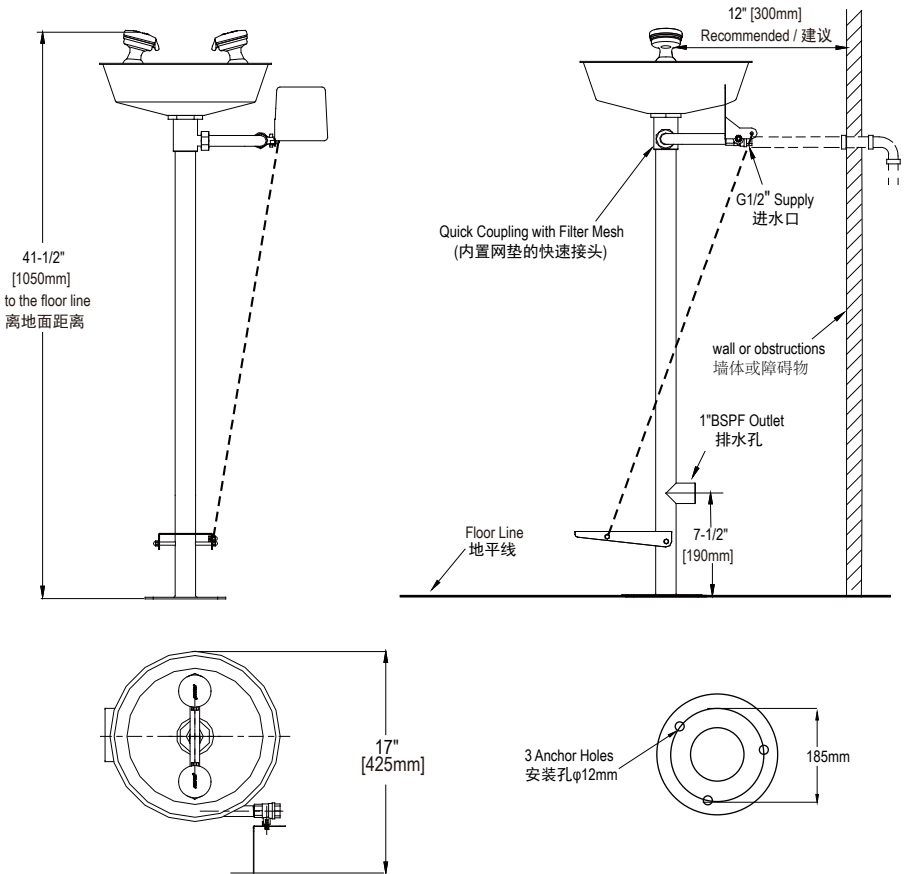
备注:

1. 图示和表格中并未完全表明所有的部件，请以实物为准。
2. 快速接头处的网垫起过滤作用。
3. 阀的触发器如图所示位置安装，确保原始状态为闭合；

Note:

1. Product picture & chart are for reference only. Detailed information is in accordance with the final product.
2. Quick coupling is equipped with flat washer for straining.
3. Right position for push hand as the picture shown. The initial state of valve is closed.

Dimensions/尺寸



Note: All dimensions assume standard thread engagement. Variations in manufacturing allow for +/- 1/8" (3mm) per threaded joint. Use thread sealant/locker on all threaded connections. Mounting hardware not supplied.

Water inlet pipe shall be connected with steel pipes which is stationary.

备注：鉴于该图为装配图，所有的螺纹为标准啮合，由螺纹旋合造成的尺寸公差为+/-3mm。

所有的管螺纹连接建议使用生料带和密封胶；

安装工具和相关配件不提供；

进水口应连接钢管管件，且钢管要求固定不可移动。

Water Flow Rate 水流量	
Eye/Face Wash 洗眼/脸喷头	4-6GPM(15-23LPM)

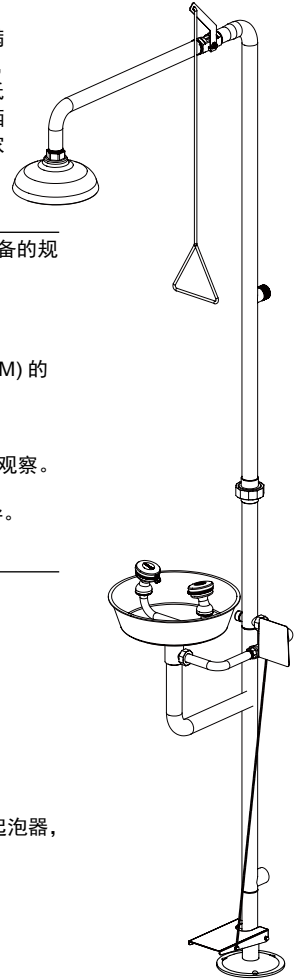
GPM=Gallon per Minute (加仑每分钟)

LPM=Liter per Minute (公升每分钟)



符合美国国家标准协会颁发的 ANSI Z358.1-2014 的标准及 OSHA 29 CFR 1910.151 (C) .

有盆式复合洗眼器 WG7053F & WG7053FY, 一个供水源可同时满足全身, 脸部、眼部上污染物和有害物质的冲洗。配置 304 不锈钢管件, 手动球阀, 水盆, 洗眼器喷头, 花洒罩等。更加舒适和限流的水以较低的速度冲洗面部和脸部, AES 塑料的叶轮花洒器内置限流器, 搭配花洒罩, 出水更加均匀, 流畅。整个紧急洗眼和冲淋设备完全符合美国国家标准协会的 ANSI Z358.1-2014 澳洲标准 AS 4775-2007。



产品描述

- 符合 ANSI Z358.1-2014 和 AS 4775-2007 关于紧急洗眼和冲淋设备的规定;
- 304 不锈钢管件适用于较恶劣的环境中;
- 推手和脚踏均启动洗眼 / 脸设备;
- 不锈钢三角拉环易于冲淋器操作;
- 210kPa(30psi) 的水压下, 洗眼 / 脸器出水量高于 11.4LPM(3.0GPM) 的最低要求;
- 冲淋器出水超出 75.7LPM(20GPM) 的最低要求;
- 洗眼器喷头可将水同时并持续, 均匀, 柔和地冲洗到面部和脸上;
- WG7053FY 采用 AES 塑料的水盆和花洒罩, 颜色为亮黄色, 易于观察。具有抗氧化, 刚度高, 韧性好等特性;
- WG7053F 配置更加耐用的不锈钢水盆和花洒罩, 抗腐蚀性优异。

规格参数

- 进水口: 25mm(G1") 外螺纹
- 排水口: 25mm(G1") 内螺纹
- 主体管件: 外径 38mm 的 304SS 钢管

冲淋器:

- 喷淋头: WG7053FY 配置 AES 塑料材质, WG7053F 为 304SS
- 管件: 外径 32mm 钢管 304SS
- 球阀: 304SS 1" 球阀
- 触发器: 三角拉环

洗眼器:

- 水盆: WG7053FY 配置 AES 塑料材质, WG7053F 为 304SS
- 喷头 (专利申请中): AES 树脂材质的喷淋头配置硬币槽内嵌式的起泡器, 80 个微孔环绕起泡器
- 过滤器: 六分网垫 硅胶 +304SS 24*16.5*2.5(外径 * 内径 * 厚度)
- 球阀: 1/2"(四分) 球阀
- 触发器: 推手, 脚踏, 二者可用不锈钢链连接
- 辅助出水口: 1/2"(四分) 外螺纹

使用说明

- 按照说明书正确安装复合式洗眼器, 工作在具有危害品的场所需配置洗眼器, 确保使用者可以在 10s 内到达紧急设备
- 设备放置的地方须有明显标识便于识别, 且该处场所光线较好
- 冲洗液须达到饮用水标准, 且供水水压 210kPa, 供水量 120-150 升 / 分钟 (建议水温 16-38°C)
- 工作人员须在工作场所进行关于如何正确操作紧急设备的指导和培训
- 冲淋器喷头离使用者站立之间的距离在 208.3cm 和 243.8cm 之间, 且 40.6cm 范围内无障碍物
- 洗眼器喷头距离地面的高度在 83.8cm 和 134.6cm 之间且离墙或其他障碍物的距离不小于 15.3cm
- 预留的辅助出水口可选择安装防烫阀或防冻阀 (不提供)
- 受到伤害的人员须进行至少 15 分钟的冲洗
- 使用完毕后, 关闭设备, 然后立即在其他人员的帮助下求助医护人员或其他专业人士, 及时进行医疗救助



Comply with the regulation in ANSI Z358.1-2014 and OSHA 29 CFR 1910.15(C)

SYSBEL's combination unit(WG7053F & WG7053FY) are an interconnected assembly of emergency equipment supplied by a single source of flushing fluid.The safety shower rapidly removes contaminants from the body while the eye/face washes flush hazardous contaminants and irritants from the eyes and face.Featuring 304SS pipe work,stay-open valve,bowl,nozzle heads,showerhead,etc.zero velocity point provides more comfort and control for effective irrigation of the eyes and face.AES resin impeller action yellow showerhead with integral flow control.Standards Licensed to the internationally recognised standard ANSI Z358.1-2014 and are compliant with AS4775-2007 for Emergency Eyewash and Shower equipment.

Descriptions

- To Meet the standard of Emergency Eyewash and Shower Equipment in ANSI Z358.1- 2014 and AS 4775-2007;
- Natural polished stainless steel(304SS) recommended for harsh environment;
- Hand and foot operation for eye/face wash;
- 304SS pull rod with triangular handle is easy to operate for shower;
- Eye/face wash exceeds minimum water flow of 3.0GPM(11.4LPM) at 210kPa (30psi);
- Shower exceeds minimum water flow 20GPM(75.7LPM) at 210kPa(30psi);
- AES plastic nozzle heads provide even,continued and soft fluid to irrigate and flush both the face and the eye simultaneously;
- For WG7053FY,water bowl and showerhead are high-visibility yellow and made of AES plastic which have high weather resistance properties,high rigidity and high tenacity.
- For the most durable water bowl and showerhead in WG7053F,select stainless steel(304SS) which stands up to corrosion and aggressive impact.

Specifications

- Water supply inlet 25mm(G1")
- Waste water outlet: 25mm(G1")
- Main pipe 38mm O.D tube 304SS

Shower:

- Showerhead:AES plastic for WG7053FY and 304SS for WG7053F
- Shower arm:32mm O.D 304SS tube
- Ball valve: 25mm full port 304SS
- Activation:Triangular handle,304SS pull rod

Eyewash:

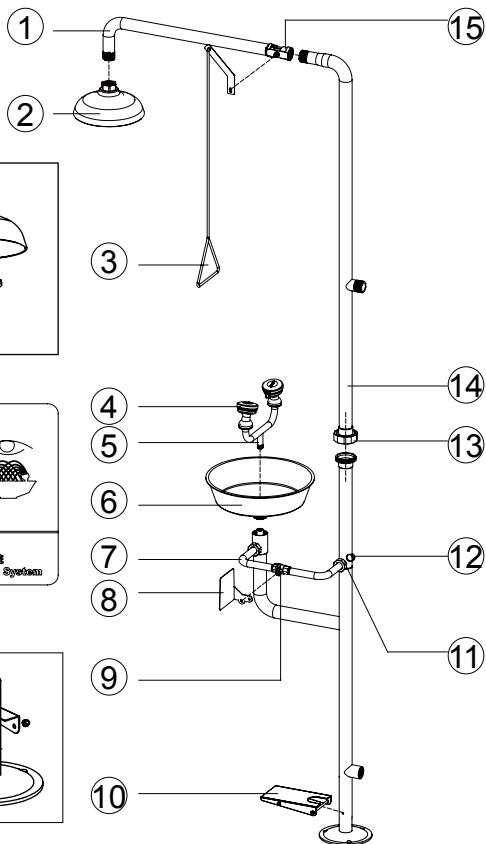
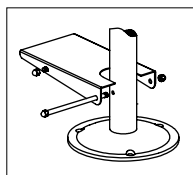
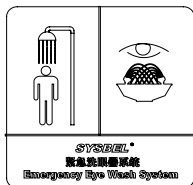
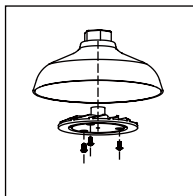
- Bowl:AES plastic for WG7053FY and 304SS for WG7053F
- Nozzle heads:"Innovation technology",AES resin body with coin slot hidden faucet aerator and 80 tiny holes on plate.Dust cover is easy to open
- strainer:mesh filter,SG+304SS 23*16.5*2.5(D*d*H/mm)
- Ball valve:15mm full port 304SS
- Activation:push handle and foot treadle with connecting chain 304SS
- Accessory outlet:1/2"

Instructions

- Be assembled and installed in accordance with instructions and adjacent to the employees who may be exposed to hazardous materials so that it take an individual less than 10 seconds to reach the nearest emergency facility
- Be located in an area identified with a highly visible sign and the area around the facility is well-lit
- The delivered flushing fluid is suitable for drinking,and the water flow is 120-150LPM at a flow pressure of 210kPa.(water temperature:16-38℃)
- Employees shall be instructed in the location and proper use of emergency eyewash and shower equipment.
- Be positioned so that the showerhead is at least 208.3cm(82in.)and not more than 243.8cm(96in.) from the surface on which the user stands. The center of the spray shall be at least 40.6cm (16in.) from any obstruction
- Nozzle heads are not less than 83.8cm(33in.)and no greater than 134.6cm(53in.) from the surface on which the user stands.
- Accessory outlet is option for installing anti scald valve kit or anti freeze valve kit(not included)
- The injured individual should proceed to the unit and flush eyes,face,even full body for the required 15-minute period
- Closing the emergency facility after use,and ask for the a physician or other appropriate professional with others'help immediately.

Installation/ 安装

编号 NO.	部件名称 Name	数量 Qty.
1	管件 shower arm	1
2	花洒罩 shower head	1
3	三角拉环 pull rod	1
4	洗眼喷头 nozzle head	2
5	牛角弯 bull horn tube	1
6	水盆 water bowl	1
7	管件 pipe	3
8	推手 push handle	1
9	DN15 球阀 ball valve	1
10	脚踏 foot pedal	1
11	快速接头 quick coupling	2
12	堵头 caps	1
13	快速接头 quick coupling	1
14	上主管 upper main pipe	1
15	DN25 球阀 valve	1



产品组装:

1. 安装花洒罩以及连接的管件;
2. 将三角拉环固定在 1" 球阀上;
3. 上下主体管件使用快速接头连接;
4. 安装水盆, 喷头及牛角弯;
5. 固定推手在合适的位置;
6. 安装脚踏并用金属链条连在推手上;
7. 如下图所示将底座固定的合适的场所;
8. 悬挂或黏贴标识牌于视线良好的区域。

Assemble of WG7053FY & WG7053F

1. Install shower head and shower arm;
2. Fix the pull rod on 1" ball valve;
3. Use quick coupling to connect two main pipe;
4. Assemble water bowl, nozzle heads and bull horn tube.
5. Fix push handle on 1/2" valve;
6. Install foot pedal and connect the push hand by chain.
7. Located the unit properly as the picture in next page;
8. Hang or paste the sign in the area where shall be highly visible.

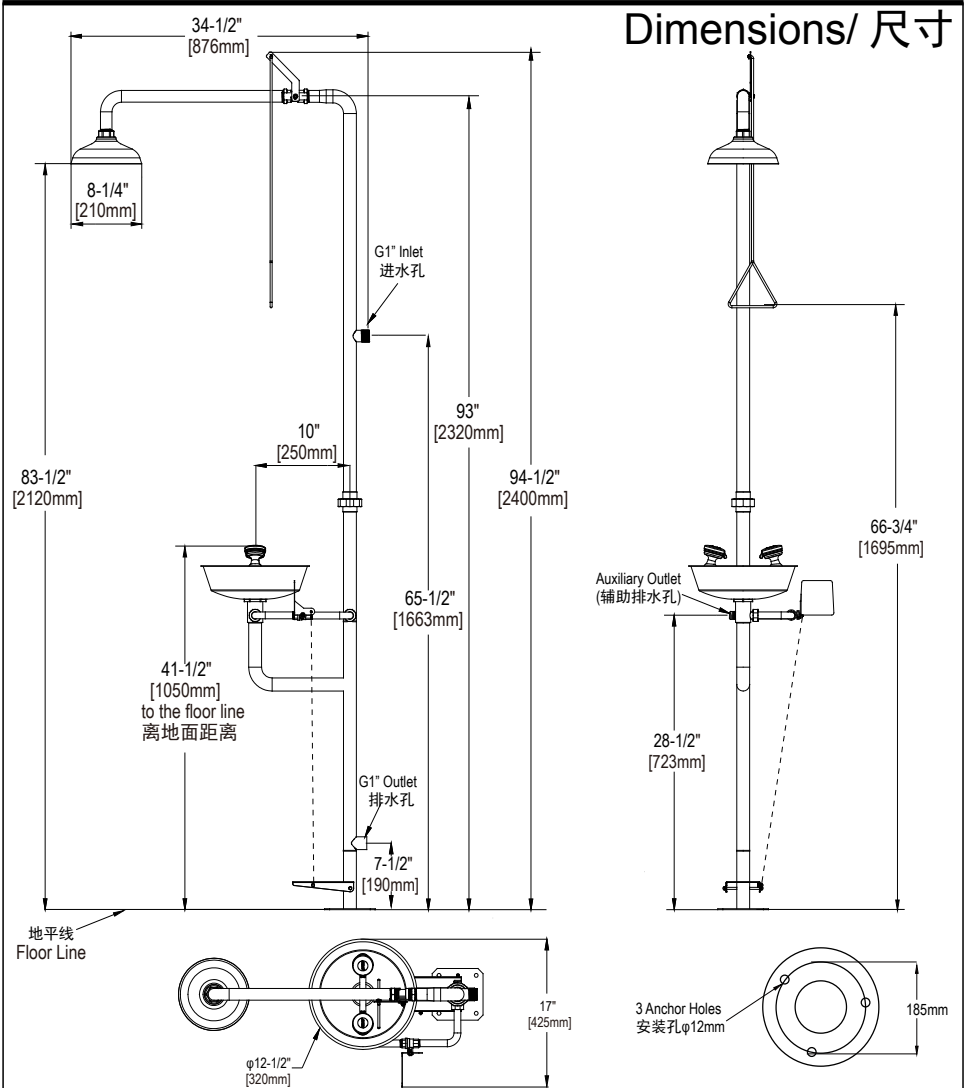
备注:

1. 图示和表格中并未完全表明所有的部件, 请以实物为准。
2. 大小快速接头处均有垫圈, 且小的快速接头为网垫, 起过滤作用。
3. 阀的触发器如图示位置安装, 确保原始状态为闭合;

Note:

1. Product picture & chart are for reference only. Detailed information is in accordana with the final product.
2. Each quick coupling is equiped with flat washer. Bigger flat washer for 13 and the smaller one for 11.
3. Right position for push hand or pull rod as the picture shown. The initial state of valve is closed.

Dimensions/ 尺寸



Note: All dimensions assume standard thread engagement. Variations in manufacturing allow for +/- .18" (3mm) per threaded joint. Use thread sealant/locker on all threaded connections.

备注：鉴于该图为装配图，所有的螺纹为标准啮合，由螺纹旋合造成的尺寸公差为 ± 3 mm。所有的管螺纹连接建议使用生料带和密封胶。

Water Flow Rate 水流量	
Showerhead 花洒	20-23GPM(75.7-90LPM)
Eye/Face Wash 洗眼/脸喷头	4-6GPM(15-23LPM)

GPM=Gallon per Minute (加仑每分钟)
LPM=Liter per Minute (公升每分钟)

作为紧急设备的制造商，我们有义务为用户提供如何操作，检验以及培训和维护的详细说明。这些指导文件在我们的官方网站 www.sysbel.com.cn 也可以查询到。

只是简单的安装紧急洗眼器并不能完全保障员工的人身安全。根据美国国家标准协会（ANSI）中 Z358.1 的标准规范，所有有可能接触到危险化学品的员工必须在紧急洗眼和冲淋器安装的位置接受合适的培训，学会如何正确的使用该紧急设备。

同时，ANSI 要求对紧急设备进行周检，更为详细的检验至少一年进行一次，以验证是否符合标准的各项规定。

每周例行启动紧急洗眼器在 ANSI Z358.1 中有明确的要求，是为了确保所有的紧急设备可以正常操作使用。一般情况下，短暂快速的开启进行测试可能就足够了，但更为有价值的测试是要求每一次长达 15 分钟。目的是保证冲洗液流经设备的每一个部分，清理沉积的杂质以及降低管件死水造成的污染。测试应在正式的环境中进行，确保每个站点的紧急设备能够可靠地运行。更为详细的检验要求每年进行一次。

此外，周期性进行的检验，包括安装位置，日期和产品性能，这些都需要记录在如设备上的检验标签上。任何有关设备功能性的问题将得到及时的发现，此外，这些信息为设备维护部门提供了及时参考，更好的监控所有的紧急设备。

As the manufacturer of the emergency equipment, we have an obligation to provide detailed instructions on the proper operation, inspection, training and maintenance of the emergency equipment. These guides are also available on the Sysbel website (www.sysbel.com).

Simply installing emergency equipment is not a sufficient means of assuring workers safety. According to the standard of ANSI Z358.1, all employees who may be exposed to hazardous materials shall be trained in the location and proper use of emergency eye/face wash and shower.

Also, ANSI requires a weekly activation, as well as a more detailed inspection at least annually for compliance with the standard.

Weekly activation is clearly stated in the ANSI standard as a necessary requirement to ensure proper operation of all emergency equipment. Generally, a quick activation to test the unit might seem sufficient, it is more valuable to test each unit for the required 15-minute flush every time. The intention is to guarantee that each piece of equipment has the proper flushing fluid supply and flow, to clear the line of any sediment build-up and to minimize contamination related to inactive water. Testing should be conducted in a real-life scenario to ensure that the emergency units in each site are able to reliably perform. More detailed inspection is required on an annual basis.

In addition, documentation of the periodic testing including location, dates and performance provides records to demonstrate your facility's diligence in protecting and monitoring each unit. These records can be managed in a variety of forms, for example, inspection tags on the units. Any questions or concerns related to functionality will be found in time by recording. Furthermore, this information gives safety team an instant reference for monitoring all safety equipments.

Problems/ 常见问题	Solutions/ 解决方案
洗眼器 / 冲淋器不出水 No flow from nozzle heads or shower heads.	<ol style="list-style-type: none"> 1. 确认是否连接水源。 Confirm the equipment supplied by a source of flushing fluid. 2. 检验水阀是否开启。 Check the shut-off ball valve.
管件或接头处有漏水 water leak between joints or fitting.	<ol style="list-style-type: none"> 1. 仔细观察管件是否有缺陷。 Observe the defect of pipe. 2. 快速接头处是否安装垫圈。 Rubber plate intalled in quick coupling 3. 管螺纹处是否使用生料带或密封胶。 Reassemble and use teflon tape or sealant on joints.
洗眼器喷水高度不满足洗眼要求 water streams from nozzle heads do not meet at desired eye level	<p>建议水压在 0.2Mpa-0.3Mpa 之间。 Recommend a flow pressure of 0.2Mpa-0.3Mpa.</p>
洗眼器出水不足，冲淋器很足 Insufficient water flow on eyewash,however,shower is sufficient.	<ol style="list-style-type: none"> 1. 确保总的进水量不少于 130LPM，水压在 0.2Mpa-0.3Mpa 之间 Ensure the water flow rate is no less than 130 LPM at a flow pressure of 0.2-0.3Mpa .
洗眼器喷水很高，冲淋器水量不足 Insufficient water flow on shower while eyewash is sufficient.	<ol style="list-style-type: none"> 2. 检查管件是否被堵塞 Check the blocking of the pipe. 3. 小快速接头内的过滤片取出清洗 Remove the filter meshes from quick couplings.
洗眼器两喷头出水高度不平衡 Water stream from nozzle heads are not balanced	<ol style="list-style-type: none"> 1. 拆除喷头，观察内部结构是否有堵塞 Disassemble the nozzle heads and clean the flow regulators. 2. 确认起泡器的安装是否一致 Check two aerators are intalled properly. 3. 起泡器是否被堵塞 Probable clogging of the aerators.
起泡器喷水高度与微孔出水高度有明显差异 Water stream from aerator is lower or higher than that from holes apprently.	<ol style="list-style-type: none"> 1. 观察内置的 O 型圈是否缺失 Observe whether O-rings inside are missing. 2. 检查小的限流器是否被堵塞 Probable clogging of flow regulator inside nozzle heads. 3. 起泡器是否被堵塞 Possible blocked aerators.

SYSBEL® 产品质量合格证
Certificate of Conformity

产品名称: SYSBEL壁挂式洗眼/脸器
Product: SYSBEL Wall Mounted Eye/Face Wash
产品经检验合格
The quality of the product is assured.
Part No.: WG7023 WG7023Y
出厂日期:
Manufacture Date:
检验员:
Inspector:
生产商: 上海西斯贝尔工业科技有限公司
地址: 中国·上海外高桥保税区美隆路1号


SYSBEL SYSBEL IS SAFETY
FOR THE PROTECTION

SYSBEL® 产品质量合格证
Certificate of Conformity

产品名称: SYSBEL立式洗眼/脸器
Product: SYSBEL Pedestal Mounted Eye/Face Wash
产品经检验合格
The quality of the product is assured.
Part No.: WG7033F WG7033FY
出厂日期:
Manufacture Date:
检验员:
Inspector:
生产商: 上海西斯贝尔工业科技有限公司
地址: 中国·上海外高桥保税区美隆路1号


SYSBEL SYSBEL IS SAFETY
FOR THE PROTECTION

SYSBEL® 产品质量合格证
Certificate of Conformity

产品名称: SYSBEL复合式洗眼器
Product: SYSBEL Combination Unit
产品经检验合格
The quality of the product is assured.
Part No.: WG7053F WG7053FY
出厂日期:
Manufacture Date:
检验员:
Inspector:
生产商: 上海西斯贝尔工业科技有限公司
地址: 中国·上海外高桥保税区美隆路1号


SYSBEL SYSBEL IS SAFETY
FOR THE PROTECTION